



Side Excavator

320-325-345-FH450.3-ZX350



Laurini Marco owner of "Laurini Officine Meccaniche", of Busseto (Parma), received an award in Vancouver, Canada, in a world competition organized by British Petroleum "bp": BP Award 2005. The award went to technological innovations developed over the last two years that brought a reduction of costs in oil and gas pipeline construction.

The side-excavator includes two winches that lift a frame composed from a boom and a block with hook. All the movements are controlled by the operator in the cabin of the excavator.

All the kit is actuated with an electrohydraulic system.

The maximum lifting capacity is with the boom completely lift and can change from the basic machine where the kit is installed.

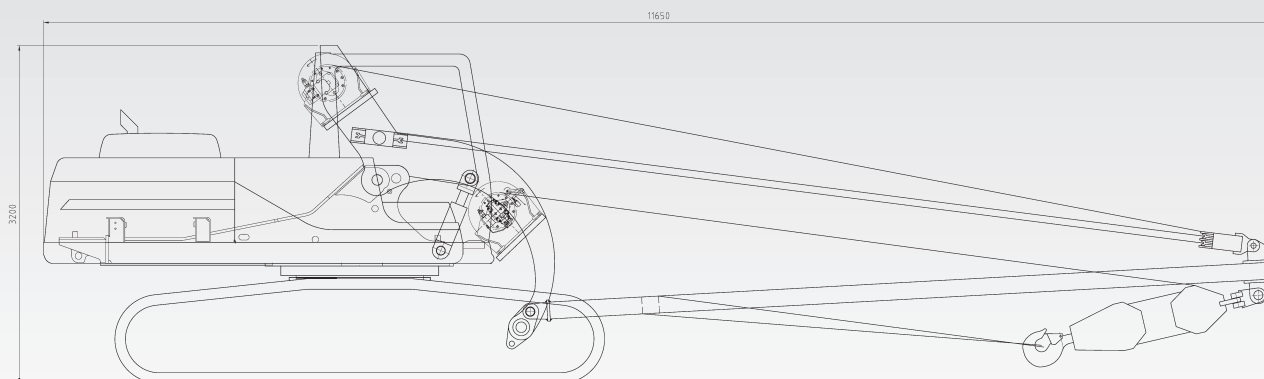
This equipment consisting in a device used to transform normal hydraulic excavators in "side boom" tractors that may be used for laying pipes in trenches.

As this modification is not permanent, it makes it possible to restore the machine to its original condition in just a few hours thus reducing the investment normally required when companies have to buy a number of different machines. This solution also has advantages in terms of safety and comfort for the operator as well as for the transport of the vehicles.

Unlike standard pipe laying tractors, the side-boom excavator can be transported without having to remove the boom or the counterweights.

Side Excavator

320-325-345-FH450.3-ZX350



TECHNICAL DATA

320 (A) • 325 (B) • 345 (C) • FH450.3 (D) • ZX350 (E)

Weight of transformation kit	kg 8500
Cable diameter	Ø mm 19
Boom cable length	m 90
Hook cable length	m 120
Minimum cable breaking load	N/mm ² 220
Max. hydraulic pressure	bar 340
Maximum hydraulic capacity of each pump (at 2000 rpm)	l/min. 359(B)/335(C/D)
Total outfitting weight	kg 43000(B)/43050(C)/32900(D)

LIFTING CAPACITY

Outreach (m) ^{1,2}	Safe (kg)	Max (kg)
2	18.700(A) / 31.511(B) / 88.347(C) / 74.375(D) / 40.375(E)	22.000(A) / 37.072(B) / 103.938(C) / 87.500(D) / 47.500(E)
3	13.350(A) / 18.907(B) / 53.008(C) / 43.520(D) / 23.588(E)	15.700(A) / 22.2433(B) / 62.363(C) / 51.200(D) / 27.750(E)
4	9.100(A) / 12.605(B) / 35.339(C) / 27.625(D) / 15.300(E)	10.700(A) / 144.829(B) / 41.575(C) / 32.500(D) / 18.000(E)
5	6.720(A) / 9.453(B) / 26.504(C) / 19.210(D) / 11.050(E)	7.900(A) / 11.122(B) / 31.181(C) / 22.600(D) / 13.000(E)
6	4.510(A) / 7.563(B) / 21.203(C) / 13.855(D) / 8.500(E)	5.300(A) / 8.897(B) / 24.945(C) / 16.300(D) / 10.000(E)
7	2.720 (A) / 6.302(B) / 17.669(C) / 10.030(D) / 6.800(E)	3.200(A) / 7.414(B) / 20.788(C) / 11.800(D) / 8.000(E)
8	1.700(A) / 15.145(C) / 6.970(D)	2.000(A) / 17.818(C) / 8.200(D)
	13.252(C)	15.591(C)