



VULCANO 2.0

HOPPER WITH HYDRAULICALLY FOLDABLE RAILS • APRON FEEDER WITH ADJUSTABLE SPEED • SELF-PROPELLED WITH REMOTE CONTROL • INTERCHANGEABLE SCREEN • RETRACTABLE AND FOLDABLE CONVEYOR BELT

GENERAL FEATURES

- INTERCHANGEABLE SCREEN
- REMOTE CONTROLLED
- SELF-PROPELLED
- HOPPER W/ HYDRAULICALLY FOLDABLE RAILS
- RETRACTABLE / FOLDABLE CONVEYOR BELT
- APRON FEEDER WITH ADJUSTABLE SPEED

OPTIONALS

- SATELLITE TELEMETRY
- BOTH SIDES HYDRAULIC HEAD DEFLECTOR

TECHNICAL DATA

STANDING MESH OPENING	8 mm → 80 mm
MAX SIZE ENTRY MATERIAL	400 mm
MAX OPERATING SLOPE	28°
OPERATING CONTROL	Remote controlled
MAX OUTPUT	250 m³/h*
TRAVEL SPEED	0-4 Km/h
WORKING SPEED	0-2 Km/h
TOTAL WEIGHT	25.700 Kg**

*Output with dry material in optimal conditions

**With full tanks

ENGINE

TYPE	CATERPILLAR
MODEL	C7.1 ACERT
POWER	225 Hp (167 Kw) @2200 rpm
DISPLACEMENT	7,01 litres

HYDRAULIC SYSTEM

MAIN PUMPS	Danfoss
2 independent hydrostatic variable pumps travel	
MAX OPERATING PRESSURE	380-400 bar

FLUID CAPACITIES

FUEL TANK	350 litres
HYDRAULIC OIL TANK	380 litres

ELECTRIC SYSTEM

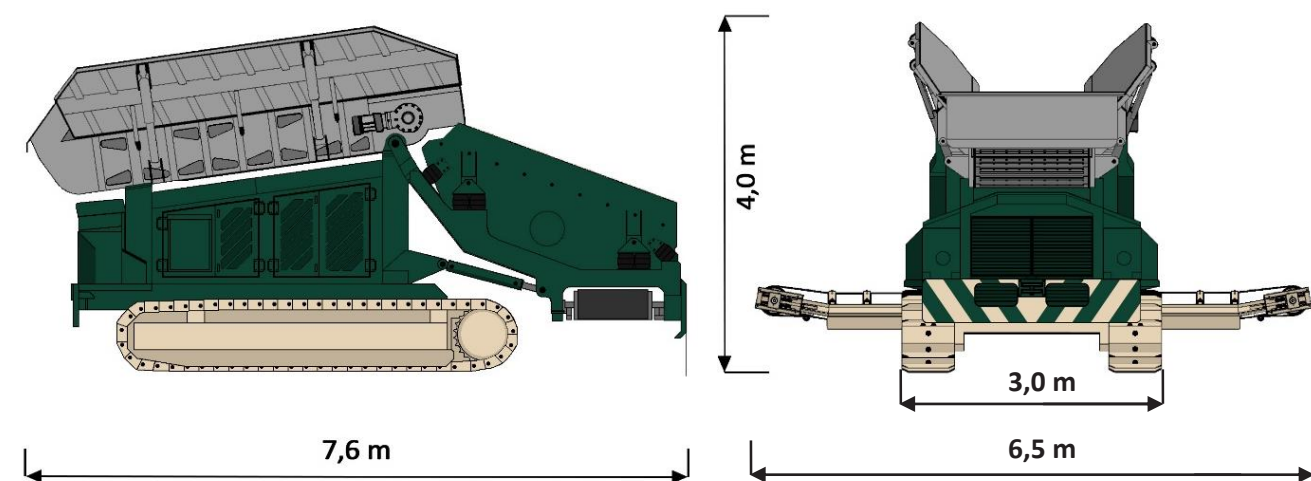
OPERATING VOLTAGE	24 V
CAPACITY	2 batteries x 50 Ah
ALTERNATOR	50 A

TRANSMISSION

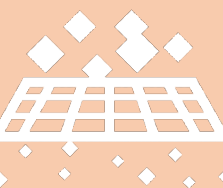
TYPE	Hydrostatic
MOTORS	Danfoss

VULCANO 2.0

★TELEMATIC SOLUTIONS AVAILABLE ON REQUEST FOR EVERY MACHINE



SHIPPING DIM.: 7,6 m x 3,0 m x 3,4 m



SCREENING
PADDING
MACHINES

ITALY **VULCANO 2.0** è un vaglio vibrante su carro cingolato semovente radiocomandato. La rete del vaglio è intercambiabile e l'alimentatore a piastra è regolabile in velocità. Il nastro trasportatore che scarica il materiale fine in trincea, è retraibile e ripiegabile. Queste caratteristiche unitamente all'elevata affidabilità rendono il Vulcano una macchina estremamente versatile, adatta a differenti tipologie di terreno ed adeguata a molteplici configurazioni della pista.



ENGLAND **VULCANO 2.0** is a vibrating screen set up on a trucked self-propelled undercarriage with remote control. The screen grids are interchangeable and the apron feeder is speed adjustable. The side to side rear conveyor belt is retractable and foldable. These features together with the high reliability make Vulcano a versatile machine, fitting for any sort of soil and suitable for different right of way conditions.



SPAIN **VULCANO 2.0** es una criba vibrante semi-móvil radio controlada a distancia sobre orugas. Las parrillas de la criba son intercambiables y el alimentador de placas ofrece la posibilidad de variar su velocidad. La cinta transportadora que descarga el material fino en la excavación es retráctil y plegable. Estas características, junto con su fiabilidad, hacen del Vulcano una máquina especialmente versátil, idónea para cualquier configuración del terreno y de la pista, en los enlaces y en los tramos en los que las excavaciones tienen una sección muy grande.



FRANCE **VULCANO 2.0** est une cribreuse à tamis vibrante installée sur un châssis chenillé automoteur et radiocommandé. Les grilles du crible sont interchangeables et l'alimentateur à tablier métallique est à vitesse réglable. Le convoyeur à bande, qui décharge le matériau criblé dans la trachée, est rétractable et pliable. Ces caractéristiques conjointes à la fiabilité font de la Vulcano une machine polyvalente, adaptée à tous types de terrain et aux différentes configurations de la piste.

